



● **Product Picture**



● **Features**

1. Emitted Color Warm White
2. Super energy saving and environmental protection
3. Water and dust proof
4. Choices of luminous intensities for indoor and outdoor application
5. High reliability and long life

● **Rating Electrical/Optical Characteristics(1 PC)**

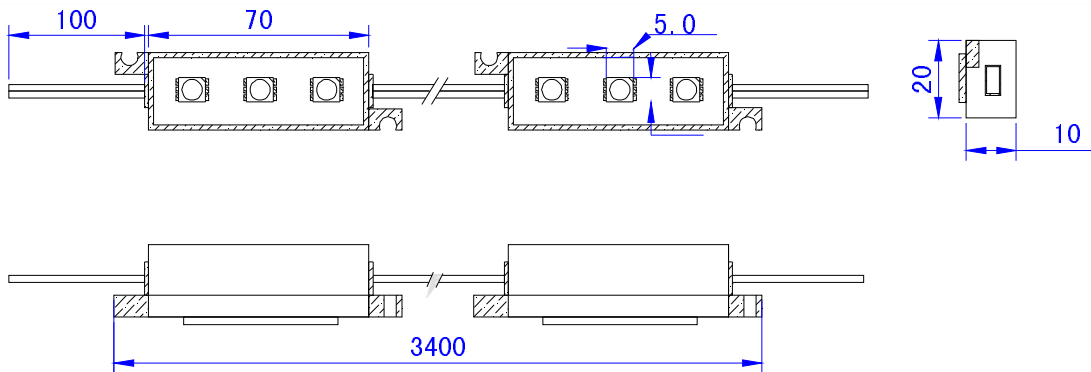
Item	WARM White
Operation Voltage(V)	DC12
Power Dissipation(W)	0.72
Input Current(mA)	60
Wavelength(nm)	CCT:2700K-3200K
Single LED Luminous Intensity(MCD)	6000
Luminous Flux(lm)	45
Angle(°)	120
Operation Temperature(°C)	-20~60
single LED Operating Current(mA)	20
LED Quantity(pcs)	3
Dimension:(mm)	L70*W20*H10
Life Time(hrs)	50000
net weight:(g)	15
Approval	CE (NO: E8 06 01 57489 001)

● **Rating Electrical/Optical Characteristics(20 PC)**

Item	WARM White
Power Dissipation	14.4W
Total Length	3.4m±0.1m
Input Current(mA)	1200
Weight	300g



● Package Dimensions



Notes:

- 1. All dimensions are millimeters.
- 2. Tolerance is $\pm 1\text{mm}$ unless otherwise specified.
- 3. Specifications are subject to change without notice.
- 4. Dimension: L70*W20*H10mm.
- 5. Can be cut or connected every three LEDs.

● Circuit Diagram

